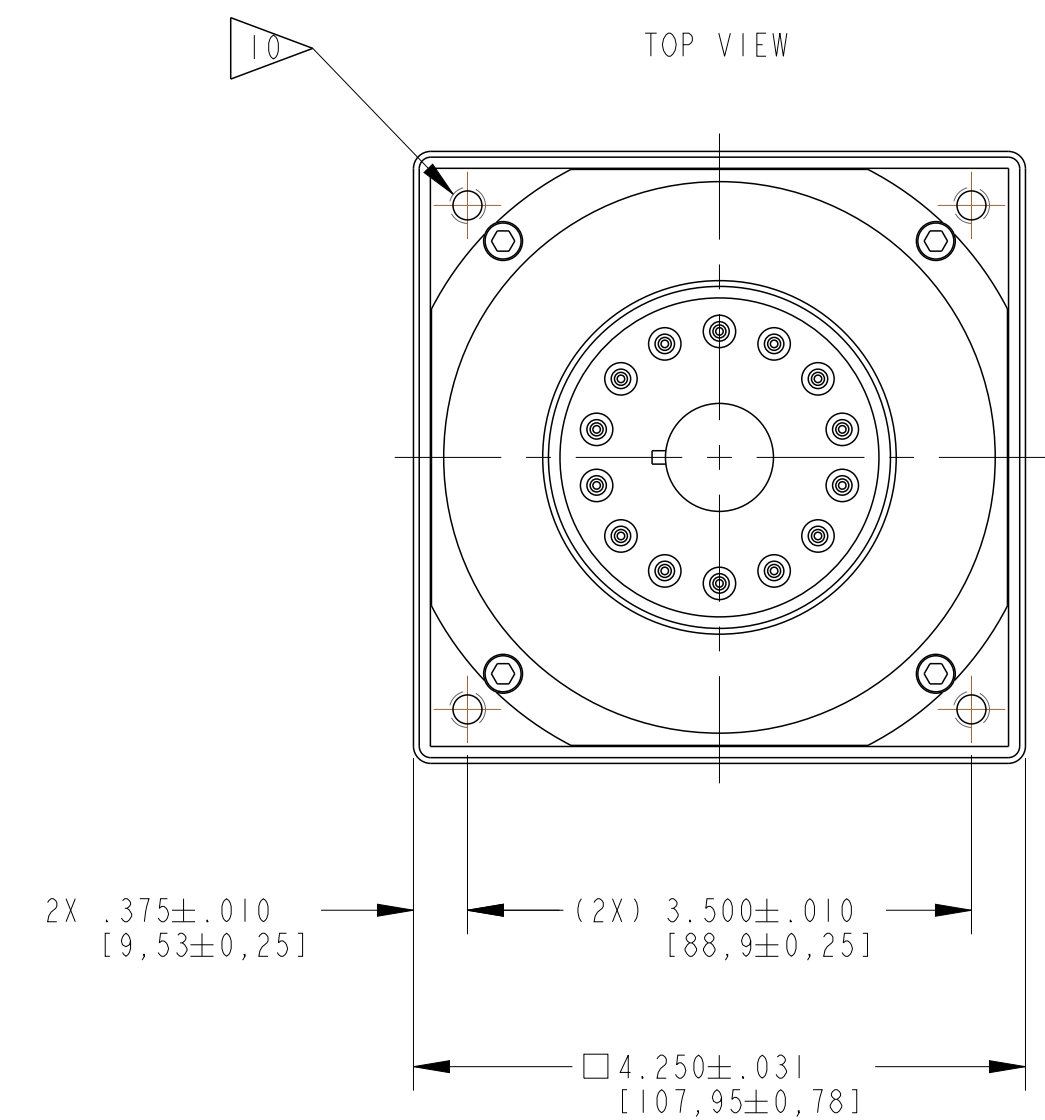
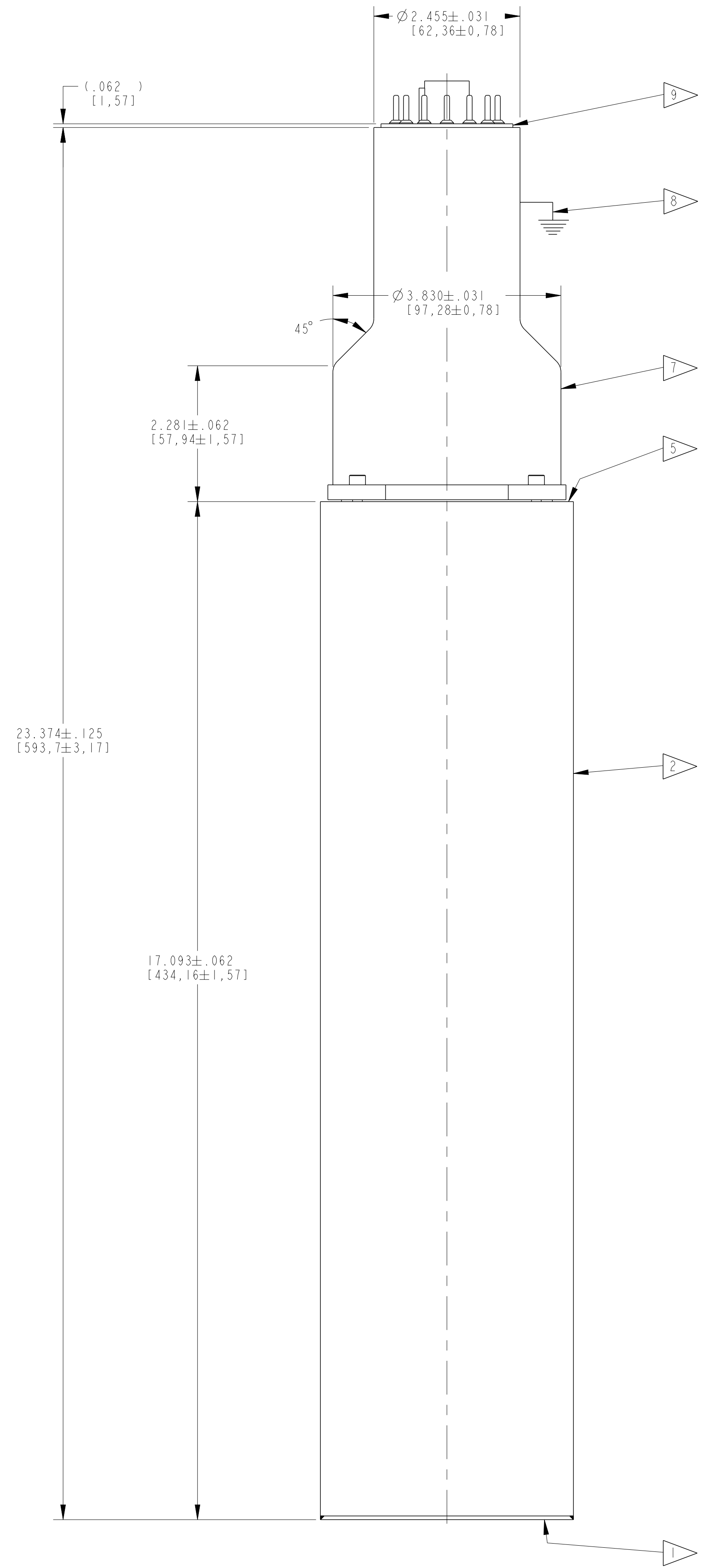


NOTES:

- 1. ALUMINUM BOTTOM PLATE  
.062 [1,57] THK.  
(CLEAR ALODINE FINISH)
- 2. ALUMINUM CRYSTAL HOUSING  
.040 [1,016] THK.  
(CLEAR ALODINE FINISH)
- 3. NaI(TL) CRYSTAL  
□4.000 [101,6] X 16.000 [406,4] LG.
- 4. OPTICAL WINDOW  
Ø3.500 [88,9] X .375 [9,525] THK.
- 5. ALUMINUM TOP PLATE  
.500 [12,7] THK.  
(CLEAR ANODIZED FINISH)
- 6. REMOVEABLE Ø3.500 [88,9]  
PHOTOMULTIPLIER TUBE  
HAMAMATSU R10755 OR EQUIV.
- 7. REMOVEABLE MU-METAL LIGHT SHIELD  
.040 [1,016] THK.  
WITH STAINLESS STEEL FLANGE  
(BARE METAL FINISH)
- 8. CATHODE PIN INTERNALLY GROUNDED  
TO MU-METAL LIGHT SHIELD
- 9. 14 PIN BASE
- 10. (4X) 1/4-20 UNC-2B  $\nabla$ .312 [7,925] HOLES
- 11. PERFORMANCE SPECIFICATION:  
PHR: 8% OR BETTER FOR Cs-137 BROADBEAM  
PHR: 5% OR BETTER FOR Th-228 BROADBEAM  
UNIFORMITY: 3% OR BETTER FOR Cs-137  
HIGH VOLTAGE: +1100V TYPICAL
- 12. PRIMARY DIMENSIONS ARE IN INCHES,  
SECONDARY DIMENSIONS ARE IN MILLIMETERS

REVISIONS				
ZONE	REV.	DESCRIPTION	DATE	APPROVED
C6	A	23.374 WAS 22.124	4/19/18	IND. #2979



TOLERANCES UNLESS OTHERWISE SPECIFIED  
.X ±.100  
.XX ±.010  
.XXX ±.005  
ANGLES ±0° 30'  
MICRO FINISH 125 ✓

<b>CUSTOMER APPROVAL</b>
<input type="checkbox"/> APPROVED
<input type="checkbox"/> APPROVED AS NOTED
<input type="checkbox"/> REVISED & RESUBMIT
CUST. INIT. _____
DATE _____

<b>ENGINEERING SALES DRAWING</b>
DO NOT SCALE THIS DRAWING THIS DWG IS IN ACCORDANCE WITH ASME Y-14.5M
DRAWN L. MARKS 8-Dec-16

 17900 Great Lakes Parkway, Hiram, OH 44234		
TITLE		
MODEL: 4X4H16/3.5A-X		
SIZE [CAGE CODE]	DWG. NO.	REV.
D	S600-8565	A

THIS PRINT IS THE EXCLUSIVE AND CONFIDENTIAL PROPERTY OF SAINT-GOBAIN CRYSTALS, A SUBSIDIARY OF SAINT-GOBAIN CERAMICS & PLASTICS, INC. AND IS NOT TO BE FURTHER REPRODUCED OR DISCLOSED TO ANOTHER PARTY WITHOUT PRIOR WRITTEN PERMISSION FROM SAINT-GOBAIN CRYSTALS. COPYRIGHT RESERVED, SAINT-GOBAIN CERAMICS & PLASTICS, INC. 2018

SCALE 3:4	WEIGHT	CALC.	ACT.	SHEET
		<input type="checkbox"/>	<input type="checkbox"/>	1 OF 1